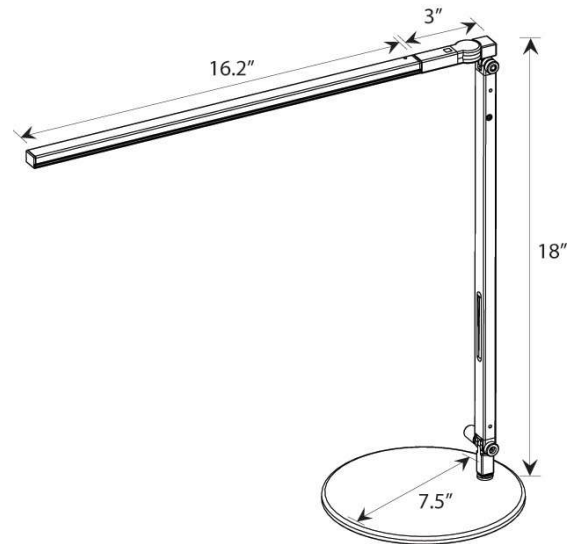


# Z-Bar® Solo LED desk lamp



## Product Specification

Product codes:	Black KON0010
	Silver KON0011
	White KON0012
Energy consumption:	8.5 Watts
Number of LEDs:	35
LED rated lifespan:	50,000 hours
Colour temperature:	4,500 K
Colour rendering index (CRI):	85
Dimmer:	Built-in touchstrip
Brightness adjustability:	Multiple dimming levels
Material:	Aluminium/plastic
Cable colour:	Black
Cable length:	10'

## Additional Information

Compatible with optional occupancy sensor

Multiple mounting options including Aircharge® base



**Ergo**  
01235 773373  
www.ergoldt.co.uk  
sales@ergoldt.co.uk